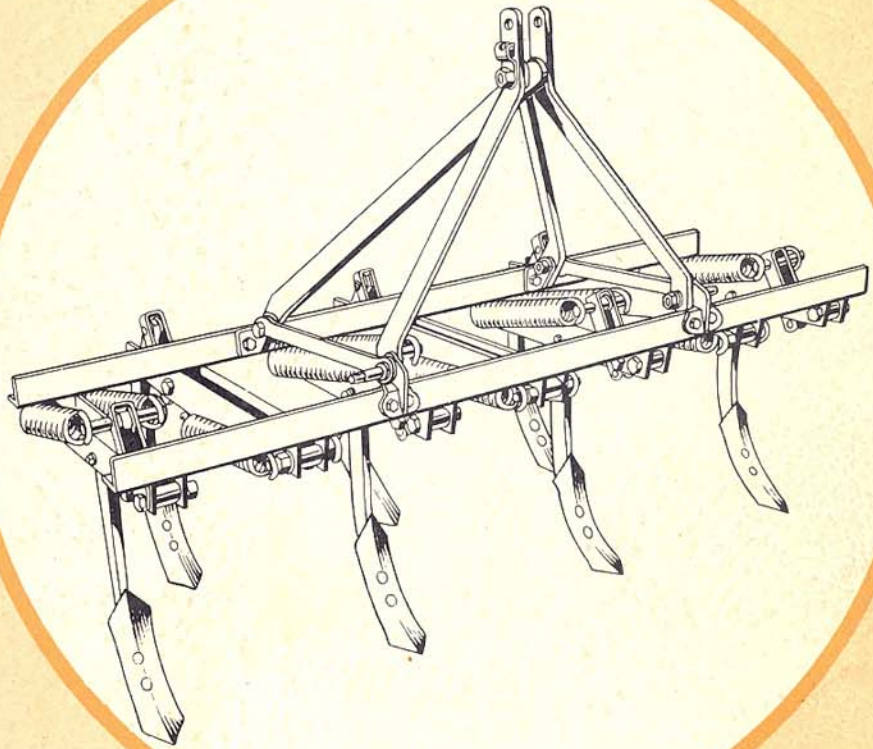




PARTS BOOK

FOR 80-20 TILLER



MARCH, 1949

Harry Ferguson, Inc.

DETROIT MICHIGAN

FOREWORD

This parts book for the BO-20 Tiller has been arranged for your easy reference. It has been revised to include the latest engineering changes and supersedes the catalog published on January 2, 1942.

ARRANGEMENT:

The tiller has been divided into groups of related parts, each group has its separate illustration.

Illustrations appear directly above the text with each group.

It will be noted that the quantities per unit column have been divided to show quantities for both the 7-BO-20 and 9-BO-20 models.



PROTECT YOUR CUSTOMER — INSURE YOUR SERVICE
BUY AND SELL ONLY GENUINE FERGUSON FARM TESTED PARTS

BO-20 TILLER PARTS LIST

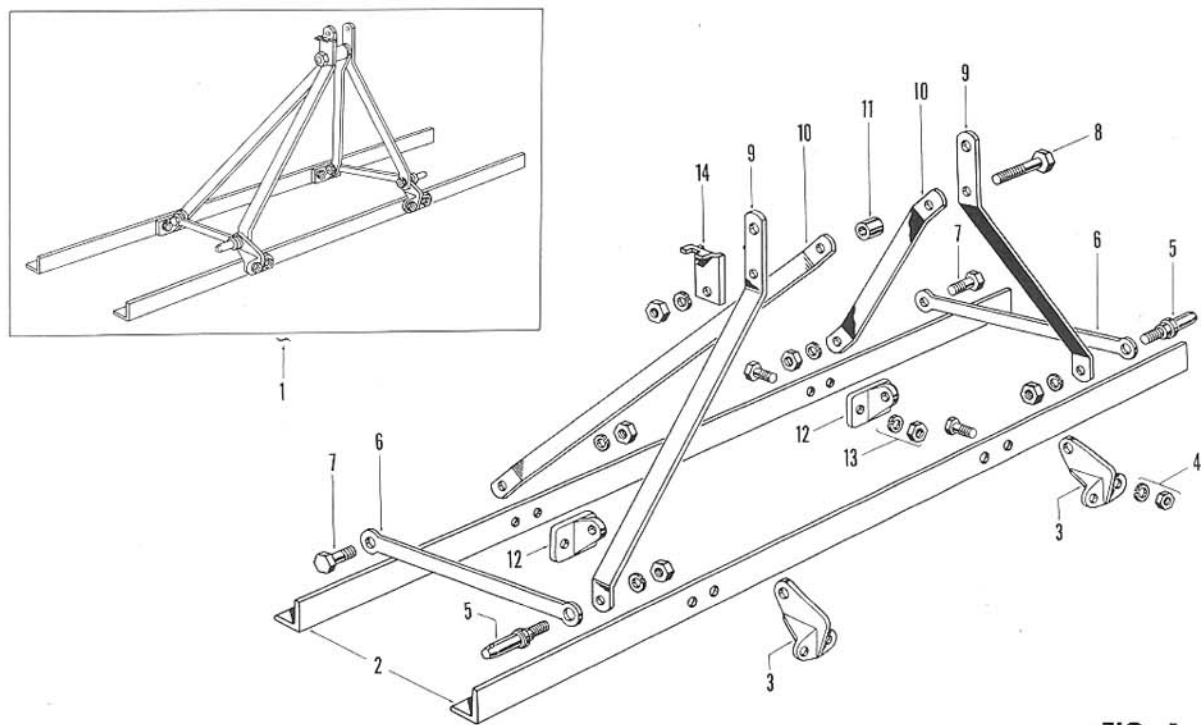


FIG. 1

REF. NO.	PART NO.	DESCRIPTION	BO-20	9-BO-20
FIG. 1 - FRAME ASSEMBLY				
1	BO-7800	FRAME assembly	1	1
		consists of items 2 thru 14		
2	KO-7820	BAR - angle	2	2
3	BO-7825-B	BRACKET - front	2	2
4	{ 50-001-138 50-14 50-003	{ BOLT - 1/2 - 20 x 1.38 hex head LOCKWASHER - 1/2 NUT - 1/2 - 20 hex } bracket to bar	4	4
5	{ KO-9555 BO-9555 62-14 62-003	{ PIN - link - not illustrated PIN - link LOCKWASHER - 5/8 NUT - 5/8 - 18 hex } link pin to strut to bracket	*2 †2 2	2 2 2
6	{ BO-7862-A BO-7862-B	{ STAY - frame support - not illustrated STAY - frame support	*2 †2	2 2
7	{ 62-001-188 62-14 62-003-	{ BOLT - 5/8 - 18 x 1 7/8 hex head LOCKWASHER - 5/8 NUT - 5/8 - 18 hex } bracket to rear strut	2	2
8	{ 62-001-338 62-14 62-003	{ BOLT - 5/8 - 18 x 3 3/8 hex head LOCKWASHER - 5/8 NUT - 5/8 - 18 } strut to spacer to stopper	1	1
9	{ BO-8020-A BO-8020-C	{ STRUT - front - R.H. and L.H. - not illustrated STRUT - front - R.H. and L.H.	*2 †2	2 2
10	BO-8021	STRUT - rear	2	2
11	KO-9551	SPACER - strut	1	1
12	KO-7826-B	BRACKET - rear	2	2
13	{ 50-001-138 50-14 50-003	{ BOLT - 1/2 - 20 x 1.38 LOCKWASHER - 1/2 NUT - 1/2 - 20 hex } bracket to bar	4	4
14	AO-9575-C	STOPPER - pin	1	1
		*Used thru serial number 6516		
		†Used serial number 6517 on		

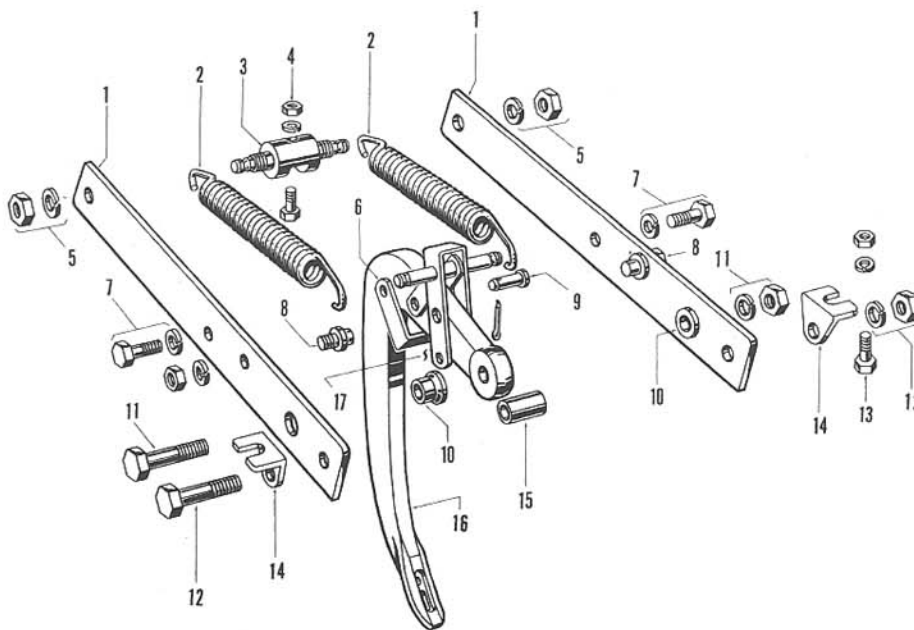


FIG. 2

REF. NO.	PART NO.	DESCRIPTION	BO-20	9-BO-20
		FIG. 2 - TINE ASSEMBLY - FRONT		
		TINE assembly - front - consists of items 1 thru 17	4	5
BO-3818		TINE assembly - front - consists of items 1 thru 17	4	5
BO-7845-A		FRAME - front - not serviced, not illustrated, order BO-7845-B in pairs		
BO-7845-B		FRAME - front	2	2
BO-7010		SPRING	2	2
BO-9572		SPACER - frame and anchor	1	1
44-001-262		BOLT - 7/16 - 20 x 2 5/8 hex head	} frame spacer to bar.	1
44-14		LOCKWASHER - 7/16		
44-003-		NUT - 7/16 - 20 hex		
75-003-		NUT - 3/4 - 16 hex	} frame and anchor spacer to frame	2
75-14		LOCKWASHER - 3/4		
BO-9560-A3		STOP - tine - optional with A4	1	1
BO-9560-A4		STOP - tine - optional with A3	1	1
44-001-62		BOLT - 7/16 - 20 x 5/8 hex head	} tine stop to frame.	2
44-14		LOCKWASHER - 7/16		
BO-9568		PIVOT - toggle	} pivot to frame, one shown in position	2
44-14		LOCKWASHER - 7/16		
44-003-		NUT - 7/16 - 20 hex		
S-10214-B		PIN - 1/2 x 1-5/16 clevis	} toggle to tine.	1
12-05-88		COTTER PIN - 1/8 x 7/8		
BO-9552		SPACER - tine - one shown in position	2	2
62-001-300		BOLT - 5/8 - 18 x 3.00 hex head	} tine and spacers to frame	1
62-14		LOCKWASHER - 5/8		
62-003-		NUT - 5/8 - 18 hex		
62-001-325		BOLT - 5/8 - 18 x 3 1/4 hex head	} angle bracket and spacer to frame.	2
62-003		NUT - 5/8-18 hex		
62-14		LOCKWASHER		
44-001-112		BOLT - 7/16 - 20 x 1 1/8 hex head	} frame angle to angle bracket.	2
44-14		LOCKWASHER - 7/16		
44-003		NUT - 7/16 - 20 hex		
BO-3850		BRACKET - angle.	2	2
BO-9571		SPACER - frame	1	1
BO-3820-A		TINE - not serviced, not illustrated - order BO-3820-B		
BO-3820-B1		TINE - optional with B2	1	1
BO-3820-B2		TINE - optional with B1	1	1
BO-9561		TOGGLE assembly - front - welded	1	1

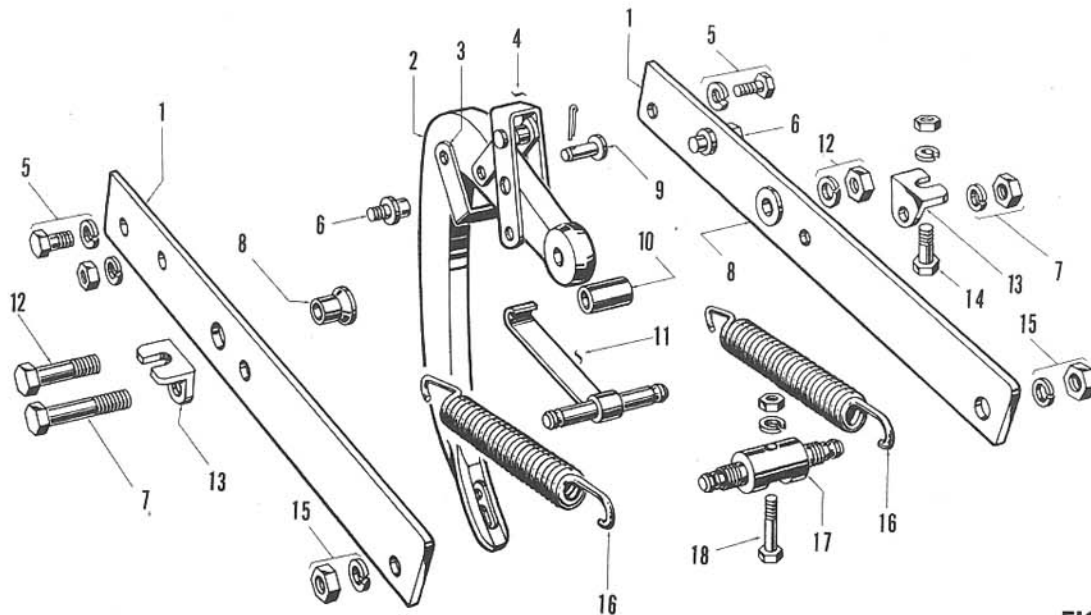


FIG. 3

REF. NO.	PART NO.	DESCRIPTION	BO-20	9-BO-20
FIG. 3 - TINE ASSEMBLY - REAR				
1	BO-3819 BO-7846-A BO-7846-B	TINE assembly - rear - consists of items 1 thru 18 FRAME - rear, not serviced, not illustrated, order BO-7856-B in pairs FRAME - rear	3	4
2	BO-3820-A BO-3820-B1 BO-3820-B2	TINE - not serviced, not illustrated, order BO-3820-B TINE - optional with B2 TINE - optional with B1	1 1	1 1
3	BO-9560-A3 BO-9560-A4	STOP - tine - optional with A4 STOP - tine - optional with A3	1 1	1 1
4	BO-9562	TOGGLE assembly - rear - welded	1	1
5	44-001-62 44-14	BOLT - 7/16 - 20 x 5/8 hex head LOCKWASHER - 7/16 } tine stop to frame	2	2
6	BO-9568 44-14 44-003	PIVOT - toggle LOCKWASHER - 7/16 NUT - 7/16 - 20 hex } pivot to frame, one shown in position . .	2	2
7	62-001-325 62-003 62-14	BOLT - 5/8 - 18 x 3 1/4 hex head NUT - 5/8 - 18 hex LOCKWASHER - 5/8 } angle bracket and spacer to frame	2	2
8	BO-9552	SPACER - tine	2	2
9	S-10214-B 12-05-88	PIN - 1/2 x 1-5/16 clevis PIN - 1/8 x 7/8 cotter } toggle to tine	1	1
10	BO-9571	SPACER - frame	1	1
11	BO-9557	SPRING ANCHOR and CONNECTOR assembly	1	1
12	62-001-300 62-14 62-003	BOLT - 5/8 - 18 x 3.00 hex head LOCKWASHER - 5/8 NUT - 5/8 - 18 hex } tine and spacers to frame . .	1	1
13	BO-3850	BRACKET - angle	2	2
14	44-001-112 44-14 44-003	BOLT - 7/16 - 20 x 1 1/8 hex head LOCKWASHER - 7/16 NUT - 7/16 - 20 hex } frame angle to angle bracket .	2	2
15	75-003 75-14	NUT - 3/4 - 16 hex LOCKWASHER - 3/4 } frame and anchor spacer to frame . . .	2	2
16	BO-7010	SPRING	2	2
17	BO-9572	SPACER - frame and anchor	1	1
18	44-001-262 44-14 44-003	BOLT - 7/16 - 20 x 2 5/8 hex head LOCKWASHER - 7/16 NUT - 7/16 - 20 hex } frame spacer to bar	1	1

BO-20 TILLER PARTS LIST

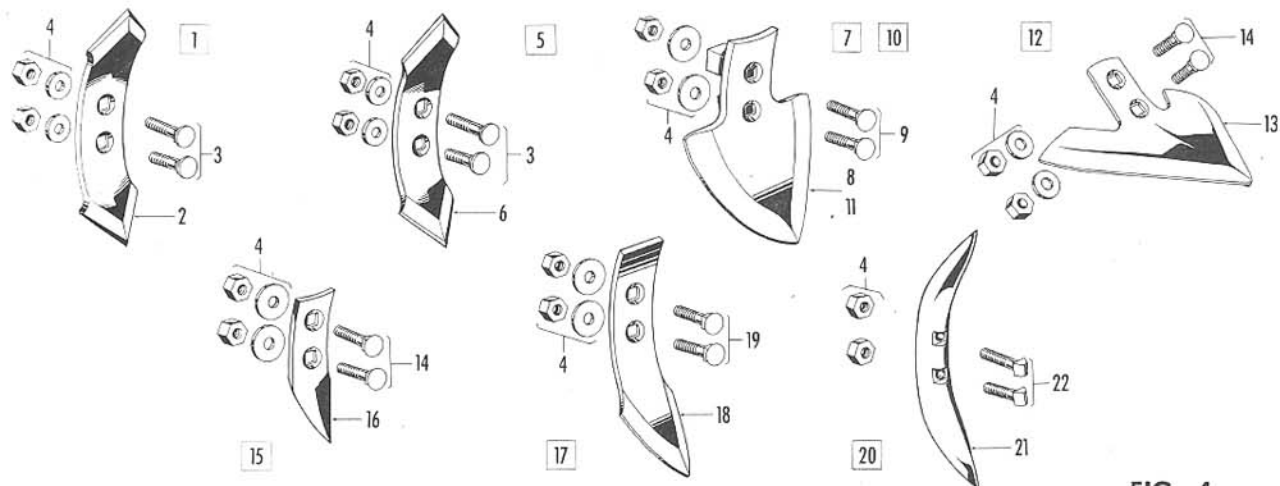


FIG. 4

REF. NO.	PART NO.	DESCRIPTION	BO-20	9-BO-20
FIG. 4 - SOIL ENGAGING PARTS				
1	{ BO-61 9-BO-61	SOIL ENGAGING PARTS - 1 set - reversible point SOIL ENGAGING PARTS - 1 set - reversible point consists of items 2 thru 4	N.S.	N.S.
2	2-BO-150-A	SHOVEL - 2 x 5/16 x 10 reversible point	7	9
3	{ 44-021-150 44-021-175	BOLT - 7/16 - 20 x 1.50 sq. nk. BOLT - 7/16 - 20 x 1.75 sq. nk.	7 7	9 9
4	{ 44-003 N-KO-9681	NUT - 7/16 - 20 hex WASHER - shovel	14 14	18 18
5	{ BO-62 9-BO-62	SOIL ENGAGING PARTS - 1 set - reversible point SOIL ENGAGING PARTS - 1 set - reversible point consists of items 3, 4 and 6	N.S.	N.S.
6	BO-150-A	SHOVEL - 2-1/2 x 5/16 x 10 reversible point	7	9
7	{ BO-63 9-BO-63	SOIL ENGAGING PARTS - 1 set - spear point - soft center SOIL ENGAGING PARTS - 1 set - spear point - soft center consists of items 4, 8 and 9	N.S.	N.S.
8	BO-150-DD	SHOVEL - spear point - soft center - with bolts	7	9
9	{ 44-031-138 44-031-162	BOLT - 7/16 - 20 x 1 3/8 sq. nk. } shovel to tine BOLT - 7/16 - 20 x 1.62 sq. nk. }	7 7	9 9
10	{ BO-64 9-BO-64	SOIL ENGAGING PARTS - 1 set - spear point - crucible SOIL ENGAGING PARTS - 1 set - spear point - crucible consists of items 4, 9 and 11	N.S.	N.S.
11	BO-150-DB	SHOVEL - spear point - crucible - with bolts	7	9
12	{ BO-65 9-BO-65	SOIL ENGAGING PARTS - 1 set - duck foot SOIL ENGAGING PARTS - 1 set - duck foot consists of items 4, 13 and 14	N.S.	N.S.
13	BO-150-B	SWEEP - duck foot	7	9
14	{ 44-021-150 44-021-162	BOLT - 7/16 - 20 x 1 1/2 sq. nk. } items 12 and 15 to tines BOLT - 7/16 - 20 x 1 5/8 sq. nk. }	7 7	9 9
15	{ BO-66 9-BO-66	SOIL ENGAGING PARTS - 1 set - quack grass SOIL ENGAGING PARTS - 1 set - quack grass consists of items 4, 14 and 16	N.S.	N.S.
16	BO-150-D	SHOVEL - single point - quack grass	7	9
17	{ BO-67 9-BO-67	SOIL ENGAGING PARTS - 1 set - chisel point SOIL ENGAGING PARTS - 1 set - chisel point consists of items 4, 18 and 19	N.S.	N.S.
18	BO-150-E	SHOVEL - chisel point	7	9
19	{ 44-021-150 44-021-175	BOLT - 7/16 - 20 x 1.50 sq. nk. } chisel point shovel to tine BOLT - 7/16 - 20 x 1 3/4 sq. nk. }	7 7	9 9
20	{ BO-68 9-BO-68	SOIL ENGAGING PARTS - 1 set - grassland tooth SOIL ENGAGING PARTS - 1 set - grassland tooth consists of items 4, 21 and 22	N.S.	N.S.
21	BO-150-C	TOOTH - grassland - with bolts	7	9
22	{ BO-9615 BO-9616	BOLT - 2.18 special elongated head } alfalfa tooth to tine BOLT - 2.50 special elongated head }	7 7	9 9

NOTE: N.S. indicates—NOT SERVICED. Part number appears in this catalog for reference only.

BO-20 TILLER NUMERICAL PARTS LIST

PART NO.	DESCRIPTION	PAGE	REF.	PART NO.	DESCRIPTION	PAGE	REF.
BO-61	Soil Engaging Parts . . .	4	1	BO-7010	Spring	2	2
9-BO-61	Soil Engaging Parts . . .	4	1	BO-7800	Frame Assembly	1	1
BO-62	Soil Engaging Parts . . .	4	5	KO-7820	Bar	1	2
9-BO-62	Soil Engaging Parts . . .	4	5	BO-7825-B	Bracket	1	3
BO-63	Soil Engaging Parts . . .	4	7	KO-7826-B	Bracket	1	12
9-BO-63	Soil Engaging Parts . . .	4	7	N.S. BO-7845-A	Frame	2	1
BO-64	Soil Engaging Parts . . .	4	10	BO-7845-B	Frame	2	1
9-BO-64	Soil Engaging Parts . . .	4	10	N.S. BO-7846-A	Frame	3	1
BO-65	Soil Engaging Parts . . .	4	12	BO-7846-B	Frame	3	1
9-BO-65	Soil Engaging Parts . . .	4	12	BO-7862-A	Stay	1	6
BO-66	Soil Engaging Parts . . .	4	15	BO-7862-B	Stay	1	6
9-BO-66	Soil Engaging Parts . . .	4	15	BO-8020-A	Strut	1	9
BO-67	Soil Engaging Parts . . .	4	17	BO-8020-C	Strut	1	9
9-BO-67	Soil Engaging Parts . . .	4	17	BO-8021	Strut	1	10
BO-68	Soil Engaging Parts . . .	4	20	KO-9551	Spacer	1	11
9-BO-68	Soil Engaging Parts . . .	4	20	BO-9552	Spacer	2	10
BO-150-A	Shovel	4	6	BO-9555	Pin	1	5
2-BO-150-A	Shovel	4	2	KO-9555	Pin	1	5
BO-150-B	Sweep	4	13	BO-9557	Spring Anchor & Conn. Assy	3	11
BO-150-C	Tooth	4	21	BO-9560-A3	Stop	2	6
BO-150-D	Shovel	4	16	BO-9560-A4	Stop	2	6
BO-150-DB	Shovel	4	11	BO-9561	Toggle Assembly	2	17
BO-150-DD	Shovel	4	8	BO-9562	Toggle Assembly	3	4
BO-150-E	Shovel	4	18	BO-9568	Pivot.	2	8
BO-3818	Tine Assembly	2	-	BO-9571	Spacer	2	15
BO-3819	Tine Assembly	3	-	BO-9572	Spacer	2	3
N.S. BO-3820-A	Tine	2	16	AO-9575-C	Stopper	1	14
BO-3820-B1	Tine	2	16	BO-9615	Bolt	4	22
BO-3820-B2	Tine	2	16	BO-9616	Bolt	4	22
BO-3850	Bracket	2	14	N-KO-9681	Washer	4	4
				S-10214-B	Pin-Clevis	2	9

STANDARD PARTS

PART NO.	DESCRIPTION	PAGE	PART NO.	DESCRIPTION	PAGE
12-05-88	Pin	2	50-14	Lockwasher	1
44-14	Lockwasher	2	50-001-138	Bolt	1
44-001-62	Bolt	2	50-003	Nut	1
44-001-112	Bolt	2	62-14	Lockwasher	1
44-001-262	Bolt	2	62-001-188	Bolt	1
44-003	Nut	2	62-001-300	Bolt	2
44-021-150	Bolt	4	62-001-325	Bolt	2
44-021-162	Bolt	4	62-001-338	Bolt	1
44-021-175	Bolt	4	62-003	Nut	1
44-031-138	Bolt	4	75-14	Lockwasher	2
44-031-162	Bolt	4	75-003	Nut	2

NOTE: N.S. indicates - NOT SERVICED. Part number appears in this catalog for reference only.



FERGUSON TRACTOR
and FERGUSON SYSTEM IMPLEMENTS

FORM O-3289-B

Litho in U.S.A.